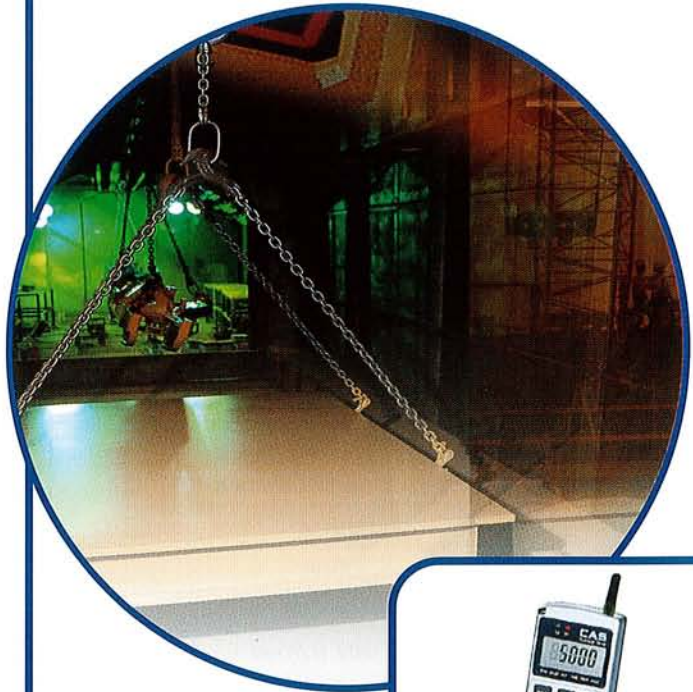


Caston-III BT

Wireless Crane Scale



- Bluetooth Remote Control
- Battery Operated
- Easy to Read 1.5" LED Display
- Environmentally Sealed to IP 65 Standards



CAS
S • C • A • L • E

CASTON-III BT Wireless Crane Scale

FEATURES

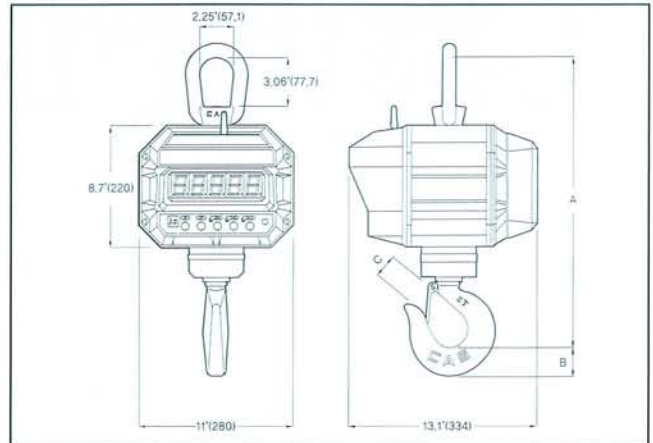
- Battery Operated w/Low Battery Indicator
- Bluetooth Remote Control
- Rechargeable Battery Pack
- Spare Battery Pack and Charger Included
- Easy to Read 1.5" LED Display
- On, Off, Zero, Tare and Hold(Manual or Automatic)Functions
- Auto Span Adjustment
- Auto Zero Tracking



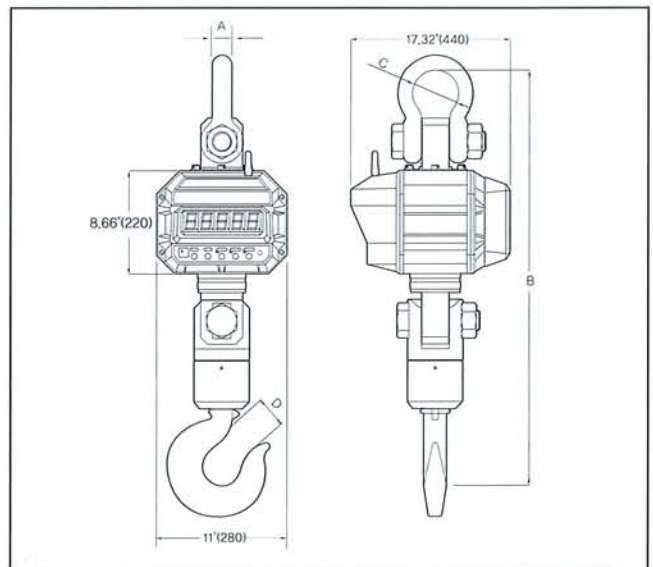
SPECIFICATIONS

Model	CAST3BT-10K	CAST3BT-20K	CAST3BT-30K
Weighing Capacity	10,000 × 2lbs	20,000 × 5lbs	30,000 × 10lbs
	CAST3BT-40K	CAST3BT-60K	CAST3BT-100K
	40,000 × 20lbs	60,000 × 20lbs	100,000 × 20lbs
Accuracy	Plus or minus 0.1% of applied load		
Maximum Tare	Full Tare		
Units	Pounds		
Overload	Safety: 150% of rated capacity Ultimate: 300% of rated capacity		
Housing	Alodined cast aluminum Double o-ring gasket NEMA 4 IP 65		
Hook, Eye, Shackles	Crosby or equivalent		
Display Type	LED		
	6Digit (1.5 inch)		
Frequency	2.4 Ghz		
Remote Distance	Up to 350ft		
Channels	Up to 79 separate channels		
Calibration	Manual		
Operating Power	DC 6V		
Operating Time	14-24 hours		
Power Source	AC 120V, 50/60 Hz		
Display Designators	Zero, Tare, Hold, Batt		
Power Consumption	1.2W		
Operating Temp	-10 °C ~ +40 °C (14°F ~ 104°F)		

DIMENSIONS



Model	A	B	C	Weight
CAST3BT-10K	20.1"(512)	1.75"(44.5)	1.69"(42.9)	68.3 lbs



Model	A	B	C	D	Weight
CAST3BT-20K	1.26"(32)	33.27"(845)	3.27"(83)	2.25"(57.2)	97 lbs
CAST3BT-30K	1.50"(38)	34.88"(886)	3.90"(99)	2.50"(63.5)	116.7 lbs
CAST3BT-40K	1.77"(45)	38.98"(990)	4.96"(126)	3.39"(86)	167.5lbs
CAST3BT-60K	1.97"(50)	42.24"(1200)	5.43"(138)	4.25"(108)	484.6 lbs
CAST3BT-100K	2.56"(65)	59.84"(1520)	7.08"(180)	5.75"(146)	859.8 lbs



CAS USA Corporation

NJ Office
99 Murray Hill Parkway
East Rutherford, NJ 07073
Tel: (201) 933-9002
Fax: (201) 933-9025
<http://www.cas-usa.com>

California Distribution Center
2665 E. Del Amo Blvd
Rancho Dominguez, CA 90221